



EDGE LINE 1000/2000/3000®



TRAIN | REGIONAL TRANSPORT



versatile

outstandingly
designed

worldwide applicable



EDGE LINE 1000/2000/3000®

The EDGE LINE seat family is a modular passenger seating concept that has been specially designed for use in trains in European countries. Thanks to its modular design, EDGE LINE is suitable for a range of uses from 1st class to 2nd class regional transport to local transport (tram and metro).



EDGE LINE 3000®



EDGE LINE 2000®





EDGELINE 1000®

The EDGELINE range impresses across all versions thanks to its stunning shaping and characteristic design with edges, chamfers and parallels. The optional add-on parts such as handles, tables and armrests fit harmoniously into the overall appearance.

The model comprises two seat cushions and a steel frame, which allows for various seat widths. EDGELINE's slim construction allows for an optimum use of space, e.g. with its relatively narrow seat pitch, and thus enables efficient seating without a loss of passenger comfort.

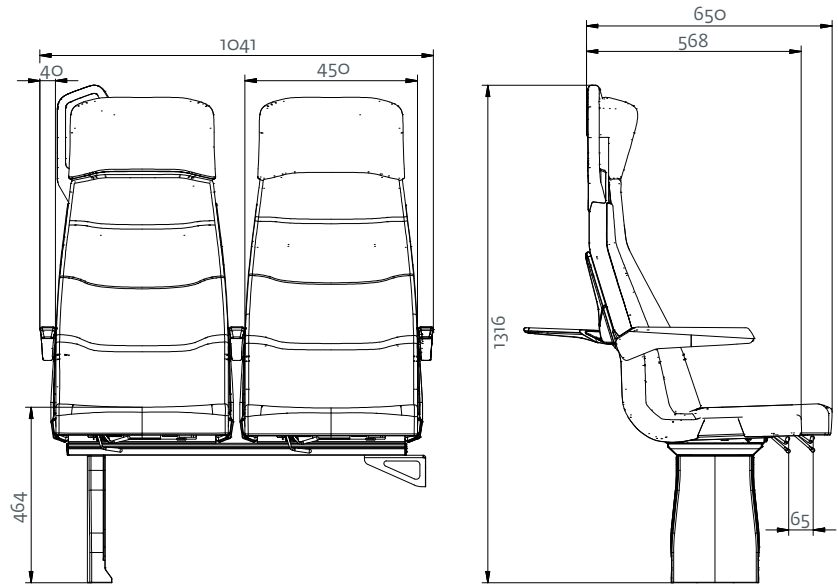
All of this combines to make EDGELINE perfect for use in regional trains - even in view of future requirements.

EDGELINE 2000/3000 can be used as a double or triple seat in regional transport, and as a double seat or bench (EDGELINE 1000) in local transport. The EDGELINE 3000 version offers a broad headrest with distinctive sides for additional comfort and a large amount of private space. The outstandingly cushioned, ergonomic backrest combines with the seat adjustment to ensure that EDGELINE 3000 offers exceptionally high levels of seating comfort.

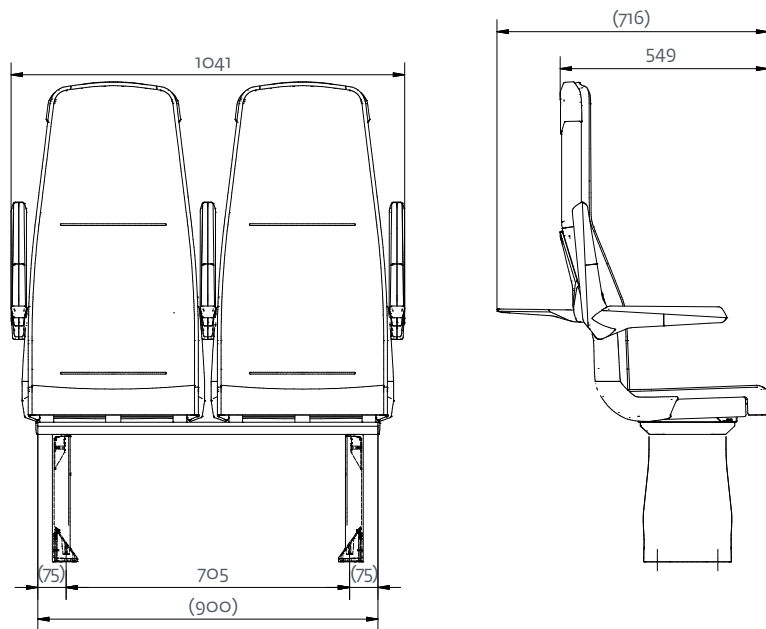
Product features and benefits:

- **Forward-thinking design with edges, chamfers and parallels for a modern ambience in the train**
 - **Two-part upholstery with quick-change system considerably reduces maintenance costs**
 - **Crash-proof**
 - **Fireproof thanks to metal structure**
 - **Long-lasting and robust**
 - **Modular design: special insert between the seats makes it possible to arrange the seats without gaps and provides additional rear protection**
 - **Excellent price-performance ratio for all EDGELINE models**
-

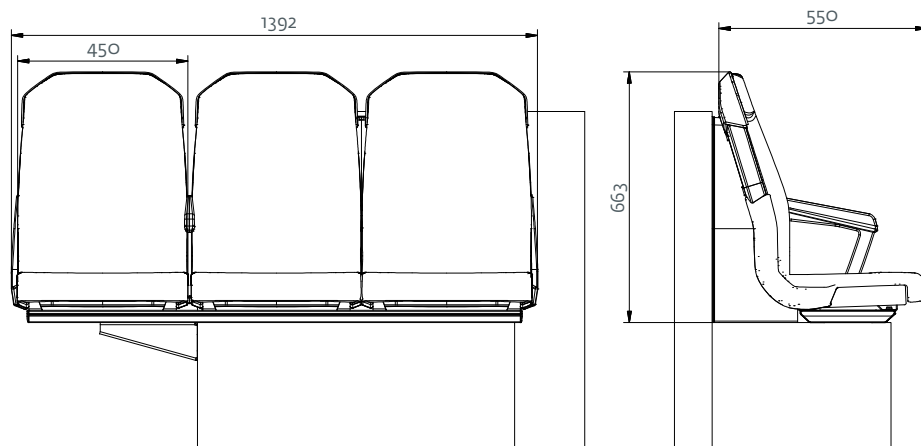
EDGE LINE 3000®



EDGE LINE 2000®



EDGE LINE 1000®



PRODUCT OVERVIEW

SEAT TYPES	EDGE LINE 3000	EDGE LINE 2000	EDGE LINE 1000
Single seat	<input type="checkbox"/>	<input type="checkbox"/>	<input type="checkbox"/>
Double seat	<input checked="" type="checkbox"/>	<input checked="" type="checkbox"/>	<input checked="" type="checkbox"/>
Back to back seating	<input type="checkbox"/>	<input type="checkbox"/>	<input type="checkbox"/>
Three seat combination	<input type="checkbox"/>	<input type="checkbox"/>	<input type="checkbox"/>
DIMENSIONS			
Seat width	450 mm	450 mm	450 mm
FEATURES			
Fixed Backrest	<input checked="" type="checkbox"/>	<input checked="" type="checkbox"/>	<input checked="" type="checkbox"/>
Seat adjustment	<input type="checkbox"/>	n/a	n/a
ARMREST			
Foldable armrest, aisle side	<input type="checkbox"/>	<input type="checkbox"/>	<input type="checkbox"/>
Foldable armrest, wall side	<input type="checkbox"/>	<input type="checkbox"/>	<input type="checkbox"/>
Foldable armrest, centered	<input type="checkbox"/>	<input type="checkbox"/>	n/a
Fixed armrest, aisle side	<input type="checkbox"/>	<input type="checkbox"/>	<input type="checkbox"/>
Fixed armrest, wall side	<input type="checkbox"/>	<input type="checkbox"/>	<input type="checkbox"/>
GRAP HANDLE			
On aisle side	<input checked="" type="checkbox"/>	<input checked="" type="checkbox"/>	<input checked="" type="checkbox"/>
FURTHER ACCESORIES			
Foldable table on back with cup space	<input type="checkbox"/>	<input type="checkbox"/>	<input type="checkbox"/>
Footrest adjustable	<input type="checkbox"/>	<input type="checkbox"/>	<input type="checkbox"/>
Smart fix	<input type="checkbox"/>	<input type="checkbox"/>	<input type="checkbox"/>
Food-wall connection	<input checked="" type="checkbox"/>	<input checked="" type="checkbox"/>	<input checked="" type="checkbox"/>
Cantilever fixation	<input type="checkbox"/>	<input type="checkbox"/>	<input type="checkbox"/>
USB-socket	<input type="checkbox"/>	<input type="checkbox"/>	<input type="checkbox"/>
WEIGHT			
Double seat (standard version)	26 kg		

Standard
 Option
 n/a not available





Franz Kiel GmbH

Nürnberger Straße 62
86720 Nördlingen
Germany

Tel. +49 (0) 90 81/21 03 - 0
Fax +49 (0) 90 81/21 03 - 151

info@kiel-sitze.de
www.kiel-sitze.de

DRIVEN BY INNOVATION

